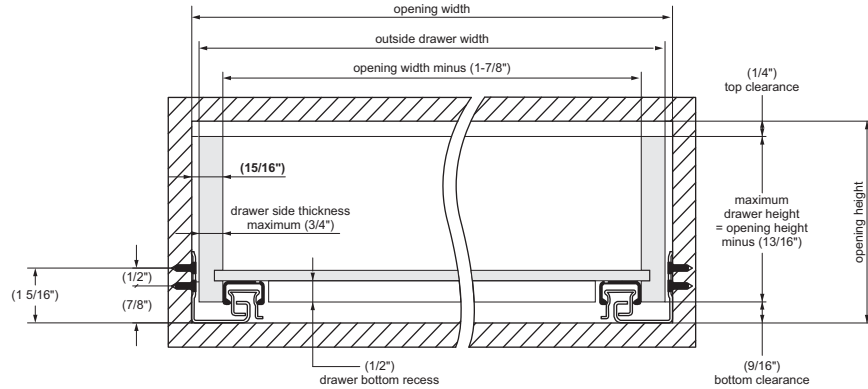
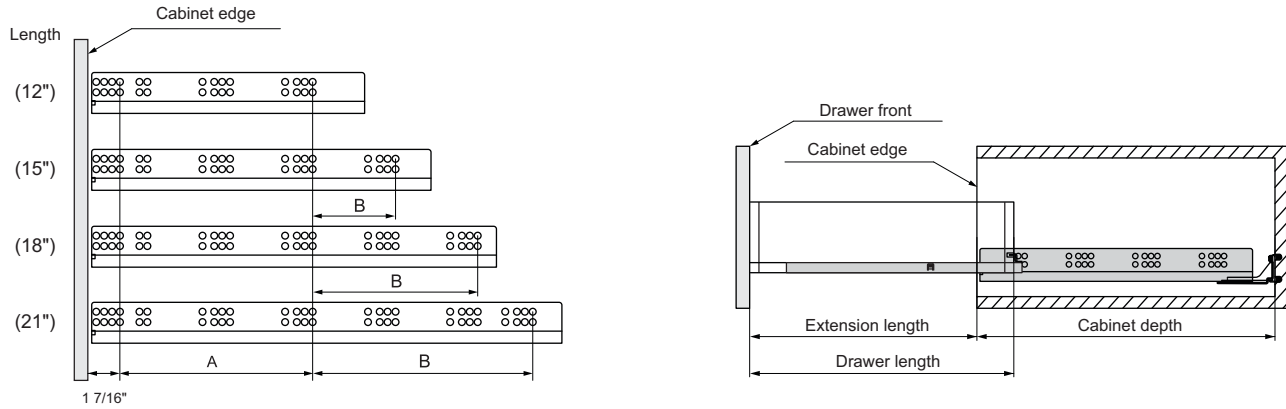


Specifications

• **Front view**



• **Holes pattern and length specifications**



Item number	Drawer length	Extension length	Cabinet depth		Mounting holes distance	
			Min	Max	A	B
TCH-23104 305	(12")	10 3/8"	13.5"	14.5"	8 13/16"	---
TCH-23104 381	(15")	13 3/4"	16.5"	17.5"	8 13/16"	3 3/4"
TCH-23104 457	(18")	16 3/4"	19.5"	20.5"	8 13/16"	7 9/16"
TCH-23104 533	(21")	19 11/16"	22.5"	23.5"	8 13/16"	10 1/16"

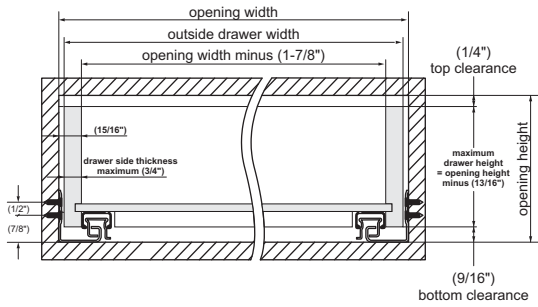
NOTE: The inside drawer width must equal Cabinet opening width minus (1-7/8") to align and function optimally

Calculating outside drawer width								
For drawer side panel thickness	(3/4")	(23/32")	(21/32")	(5/8")	(19/32")	(9/16")	(1/2")	(15/32")
Deduct from inside cabinet width	(3/8")	(15/32")	(9/16")	(5/8")	(23/32")	(25/32")	(7/8")	(15/16")
Example: For (24") inside cabinet width and a (5/8") thick drawer panel, (24") minus (5/8") = (23 3/8") drawer width								



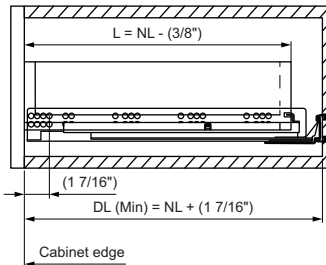
Installation Instructions

• Space required



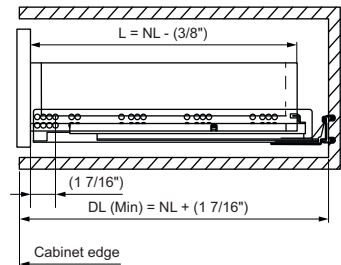
• Outset drawer

L: Drawer length
DL: Internal cabinet depth
NL: Assembling dimensions length

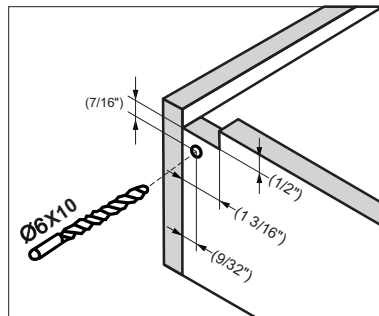


• Inset drawer

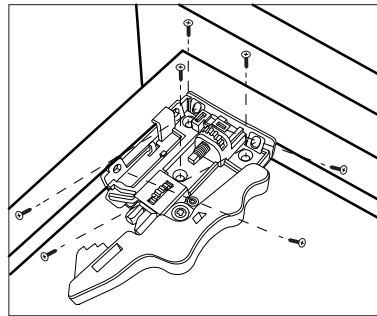
L: Drawer length
DL: Internal cabinet depth
NL: Assembling dimensions length
X: the drawer board thickness



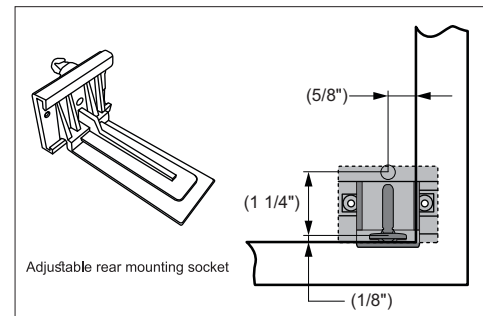
• Drawer back preparation



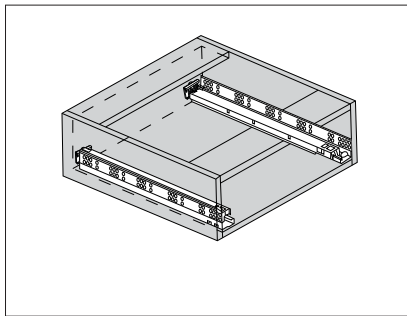
• Lock device



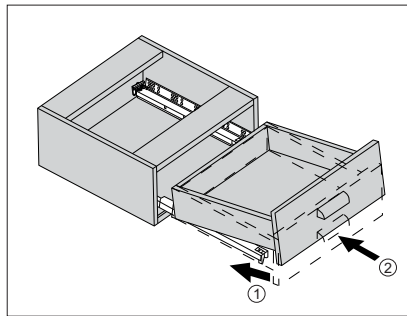
• Rear mount socket



• Slid installation



• Drawer Installation



• Drawer removal

