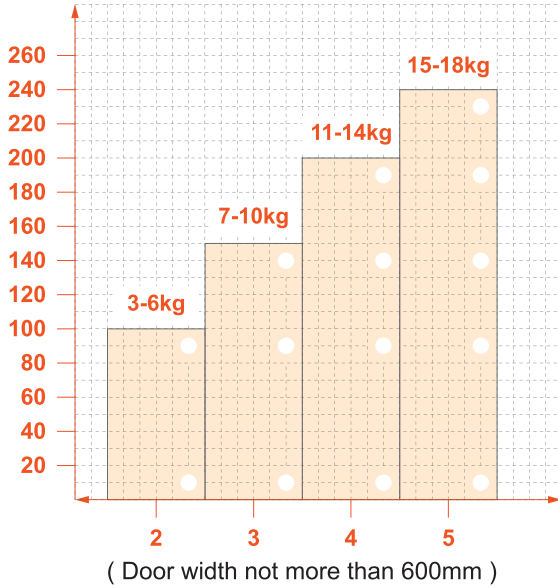
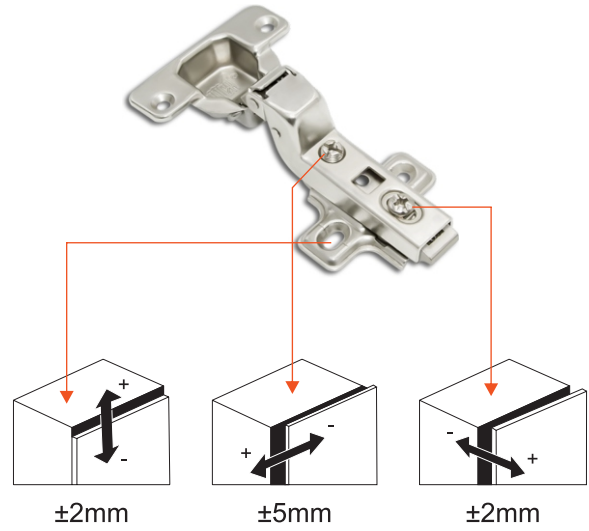


• **Hinges Per Door**



• **Door Adjustment**



• **Drilling Centers**

A	H	K	3	4	5	6	7
0			-1	0	1	2	3

H: Mounting plate height K: Distance from door edge to the edge of cup drilling A: Gap between door and side panel

