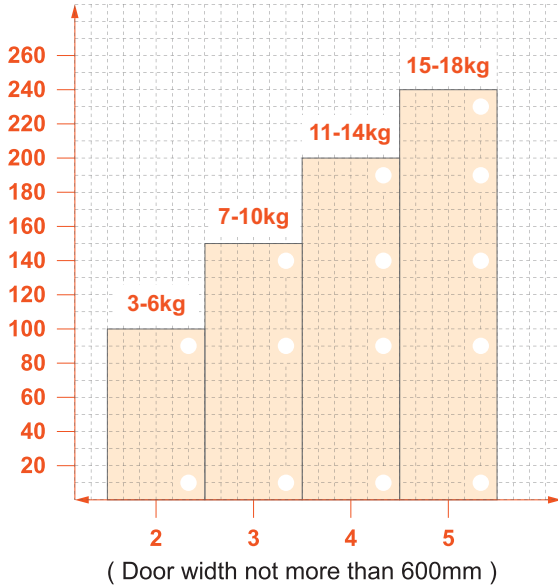
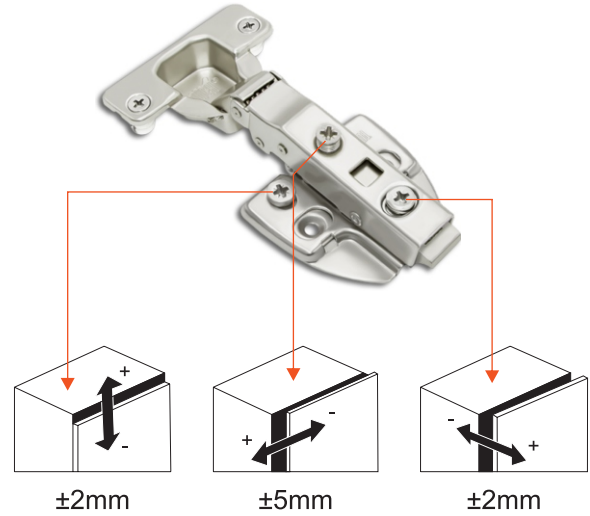


• **Hinges Per Door**



• **Door Adjustment**



• **Drilling Centers**

**Frameless**

**Face-Frame**

| D | H | K | 3  | 4  | 5  | 6  | 7  |
|---|---|---|----|----|----|----|----|
| 0 |   |   | 15 | 16 | 17 | 18 | 19 |
| 3 |   |   | 12 | 13 | 14 | 15 | 16 |
| 4 |   |   | 11 | 12 | 13 | 14 | 15 |

H: Mounting plate height K: Distance from door edge to the edge of cup drilling D: Door overlay on side panel

