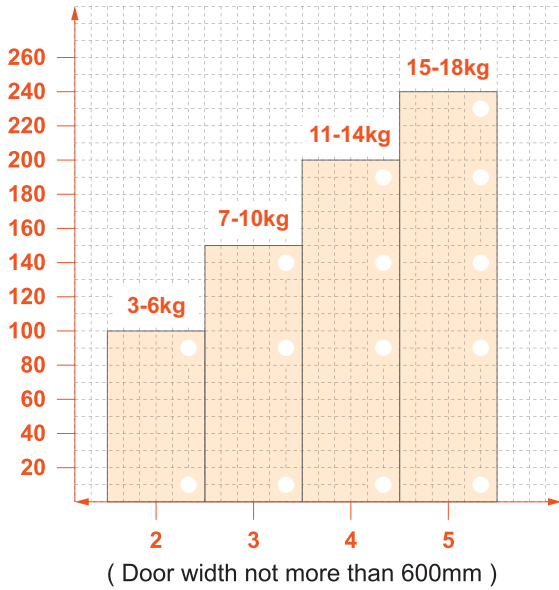
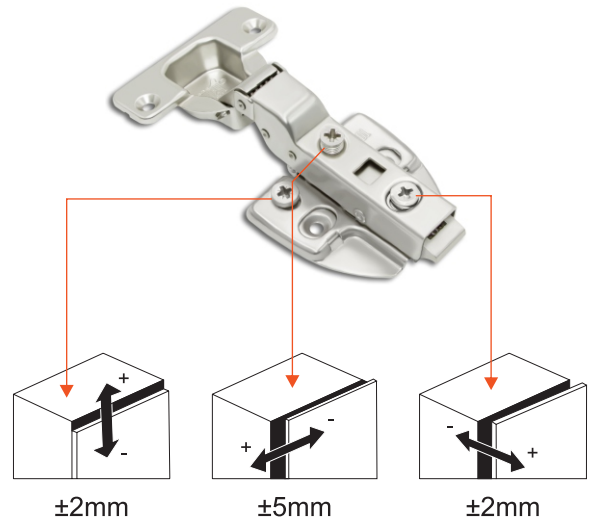


• **Hinges Per Door**



• **Door Adjustment**



• **Drilling Centers**

**Cabinet door**

**Cabinet side panel**

D	H	K	3	4	5	6	7
0			7	8	9	10	11
3			4	5	6	7	8
4			3	4	5	6	7

**H:** Mounting plate height **K:** Distance from door edge to the edge of cup drilling **D:** Door overlay on side panel

**Frameless**

**Face-Frame**

