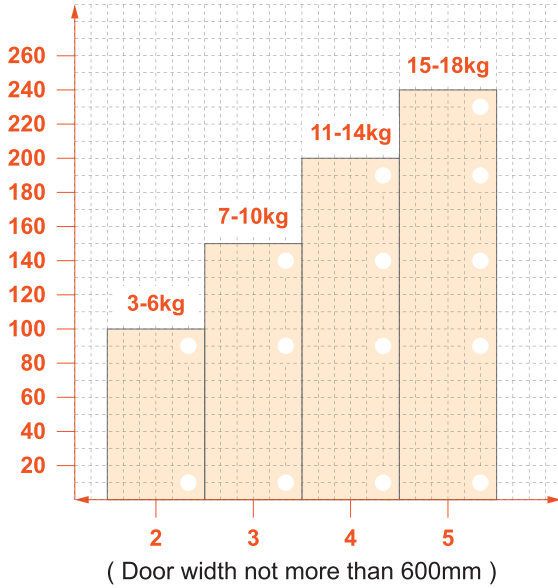
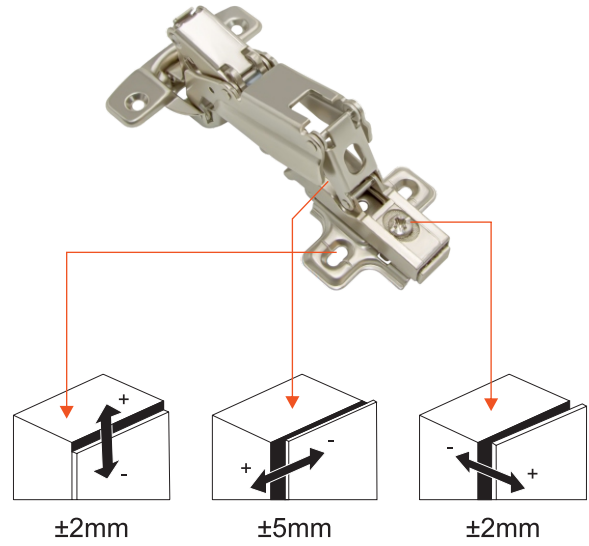


Instructions & Diagrams

• **Hinges Per Door**



• **Door Adjustment**



• **Drilling Centers**

Cabinet door

9.5
45
K

D	H	K	3	4	5	6	7
0			16	17	18	19	20

H: Mounting plate height K: Distance from door edge to the edge of cup drilling D: Door overlay on side panel

11.3
35

Frameless

Cabinet edge
32
37
Cabinet side panel

Face-Frame

Cabinet edge
32
9.5

