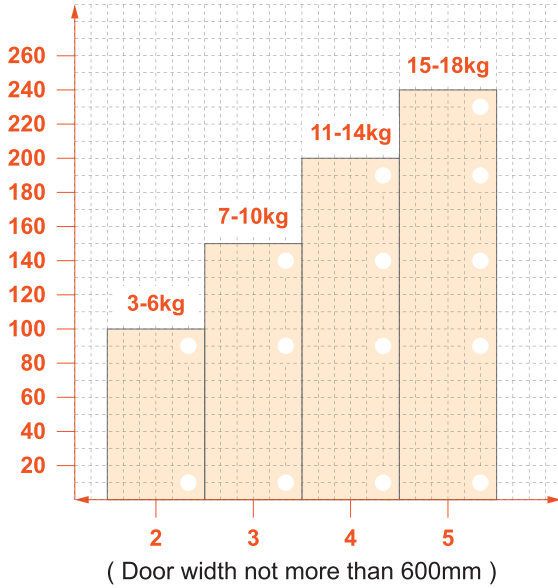
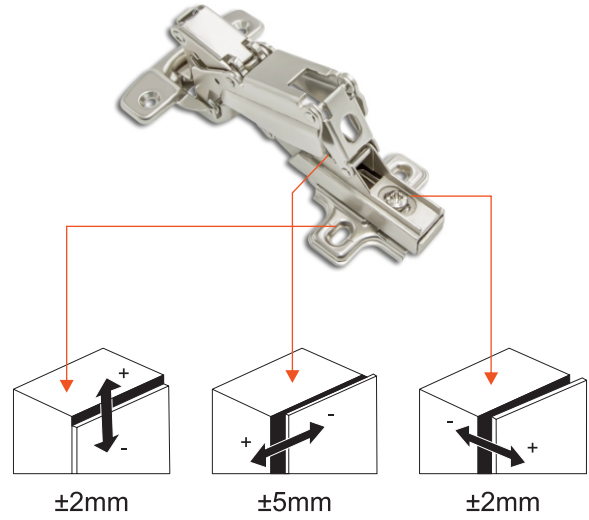


Instructions & Diagrams

• **Hinges Per Door**



• **Door Adjustment**



• **Drilling Centers**

D	H	K	3	4	5	6	7
0			7	8	9	10	11

H: Mounting plate height K: Distance from door edge to the edge of cup drilling D: Door overlay on side panel

