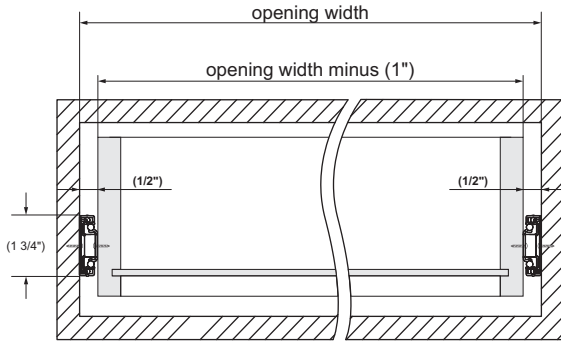
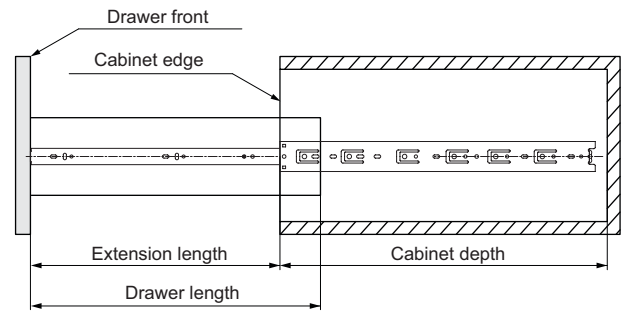


Specifications

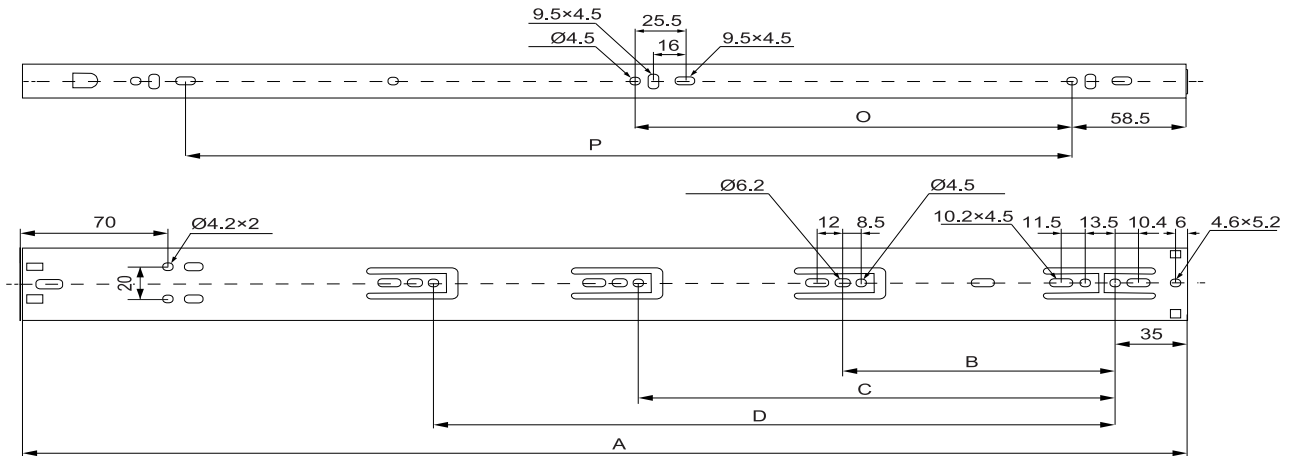
• **Space required**



• **Extension length**



• **Holes pattern and length specifications**

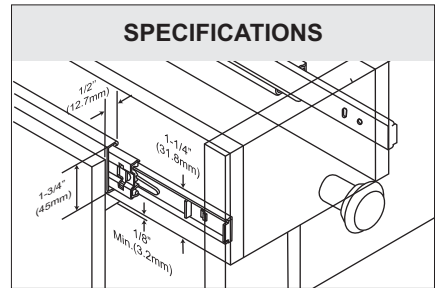
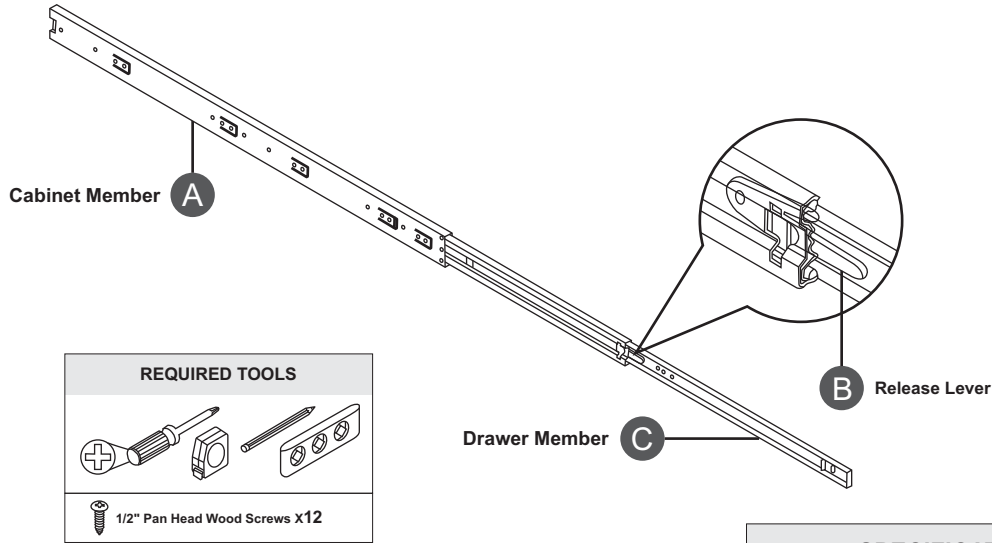


| Item number | Drawer length | Extension length | Mounting holes distance | | | | | |
|---------------|---------------|------------------|-------------------------|------|-------|-----|-----|-------|
| | | | A | B | C | D | O | P |
| TCH-22301 250 | (10") 250mm | 195mm | 250 | -- | -- | -- | -- | -- |
| TCH-22301 300 | (12") 300mm | 280mm | 300 | 96 | -- | -- | 80 | 176.5 |
| TCH-22301 350 | (14") 350mm | 346mm | 350 | 72.5 | 128 | -- | 128 | 224.5 |
| TCH-22301 400 | (16") 400mm | 396mm | 400 | 128 | 183.5 | -- | 128 | 256.5 |
| TCH-22301 450 | (18") 450mm | 446mm | 450 | 128 | 224 | -- | 160 | 296.5 |
| TCH-22301 500 | (20") 500mm | 496mm | 500 | 128 | 224 | 288 | 192 | 360.5 |
| TCH-22301 550 | (22") 550mm | 546mm | 550 | 128 | 224 | 320 | 192 | 392.5 |
| TCH-22301 600 | (24") 600mm | 596mm | 600 | 128 | 224 | 352 | 224 | 456.5 |



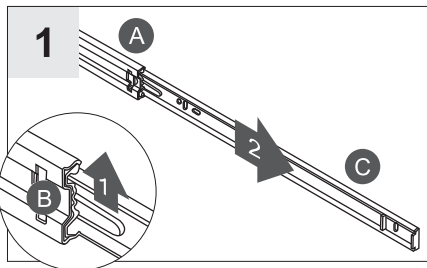
45mm Push to Open Ball Bearing Slides

Installation Instructions

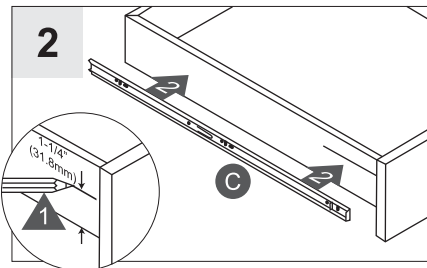


IMPORTANT:

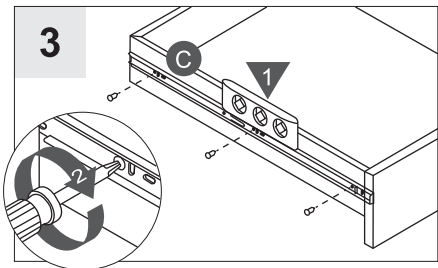
- Please READ through all instructions before you begin.
- To avoid binding, drawer must be 1/2" narrower than cabinet opening on each side.
- Top and bottom of drawer should have 1/8" minimum clearance from cabinet opening.
- For face-frame cabinets, Rear Mount Socket is required.



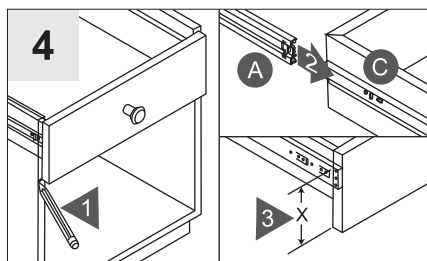
Press release lever (B). Remove drawer member (C) from the Cabinet member (A).



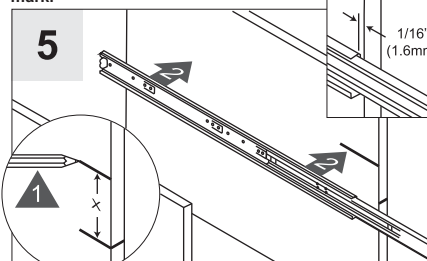
Mark 1-1/4" (32mm) from the bottom of the drawer side panel. Align the top of the drawer member (C) with the mark.



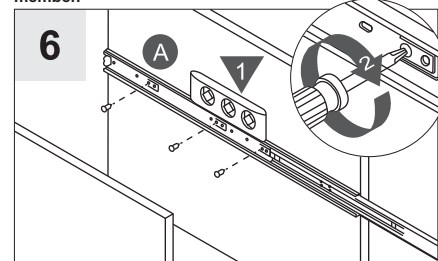
Make sure the drawer member (C) is level. Secure with screws. Repeat Steps 1-3 for the remaining drawer member.



Determine drawer position. Mark bottom of the drawer front on the left and right sides. Place cabinet members (A) onto the drawer members (C). Measure "X".



Mark "X" from the bottom of the mark. Repeat Step #1 to remove drawer member (C) from the Cabinet member (A). Align top of the cabinet member (A) with the mark, 1/16" from the front of the cabinet.



Make sure cabinet member (A) is level, secure with the screws. Repeat for the remaining cabinet member (A). Insert the drawer member (C) into the cabinet member (A) and close the drawer. Release member (B) will automatically lock.

