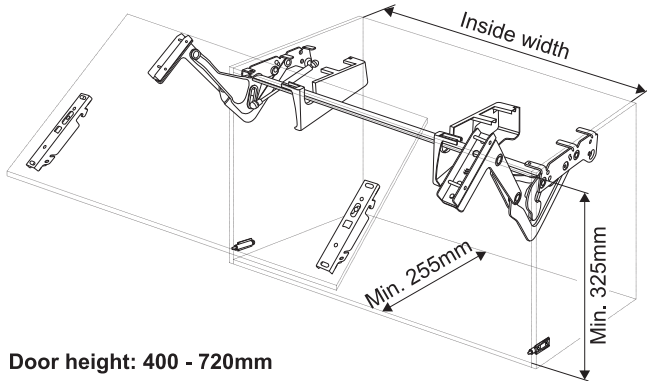


Vertical Swing Lift-up Door

Installation Instructions

- Read this manual carefully for proper installation and operation.
- Incorrect installation and improper use of the product may cause damage to the unit and also cause injury.
- This manual should be kept by the user after installation.



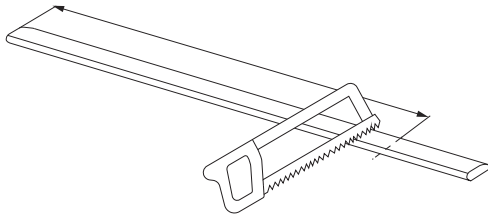
Door height: 400 - 720mm
Door width: 600 - 900mm
Door weight: 4 - 8kg

⚠ Caution for installation & operation

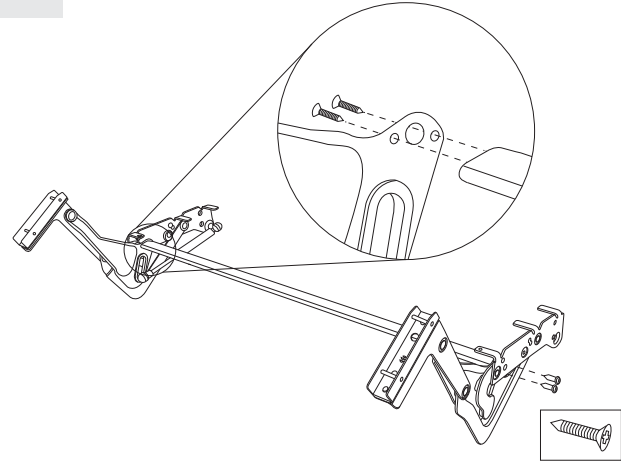
- This product designed exclusively for a **Swing Lift-up** cabinet door application. Be reminded that we cannot take any responsibility for damages and injuries caused by other applications, disassembly, and conversion to any other application.
- The right-hand and left-hand side bodies of this mechanism should be installed as a set.
- This mechanism must be installed to the cabinet correctly in accordance with the indications of this manual. Note that, the non-observation of the dimensions specified not only does not enable this mechanism to show its right performance, but also may result in damage and cause injury.
- Be careful do not insert your hand or fingers into the arm mechanism of the unit. Sever injury may be caused.
- It is necessary to periodically check the fixing screws for loosening. Tighten the loosened screws as required.
- For improvement of the specification may be changed without notice. As for details please verify the actual goods.

A Stabilizer bar length

Stabilizer bar length = Inside cabinet width - 30mm

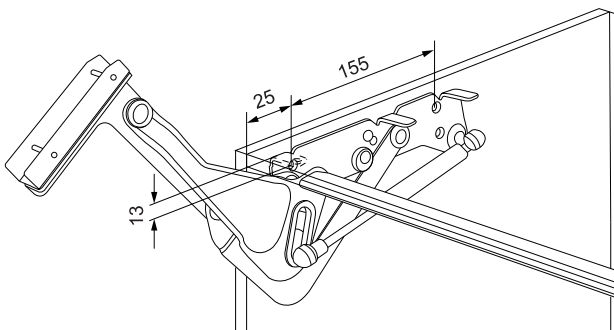


B Stabilizer bar assembly plan

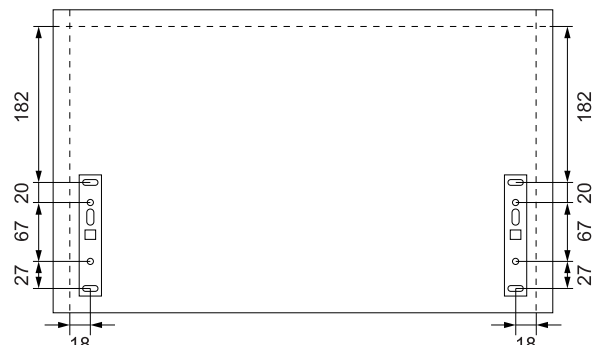


C Product installation and fixing screws dimensions

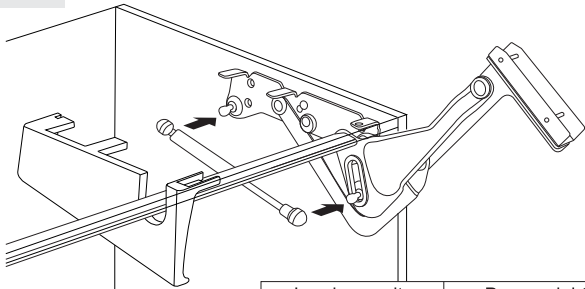
- Cabinet side panel



- Cabinet door

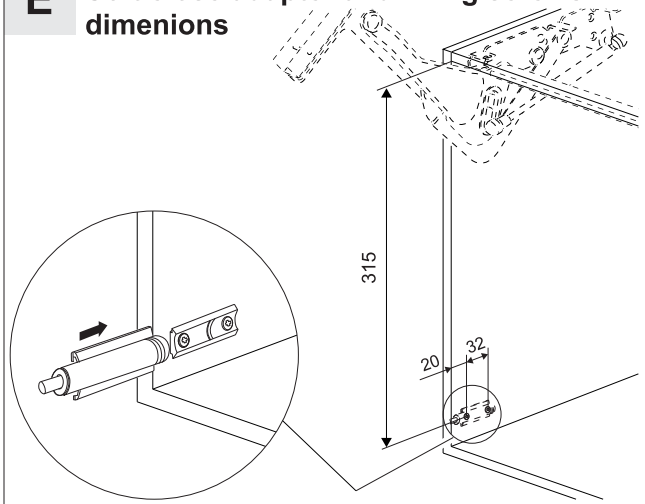


D Installation and capacity of the gas spring

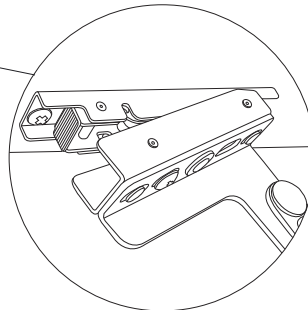
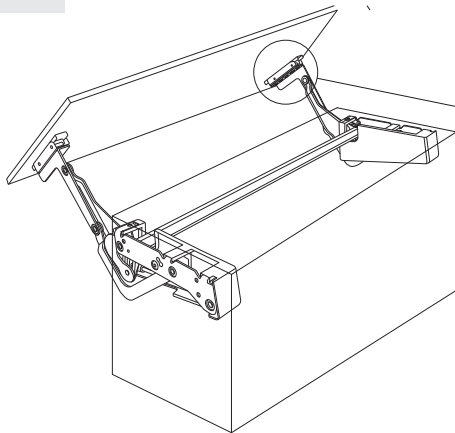


Load capacity (N)	Door weight (kg)
200	4
250	5
300	6
350	7
400	8

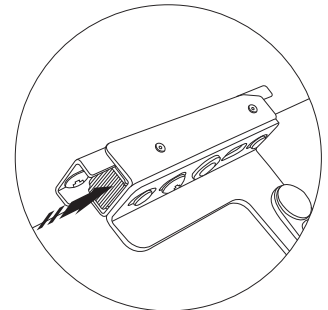
E Soft close adapter and fixing screws dimensions



F Cabinet door assembly

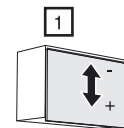
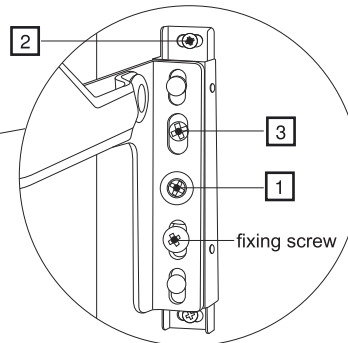
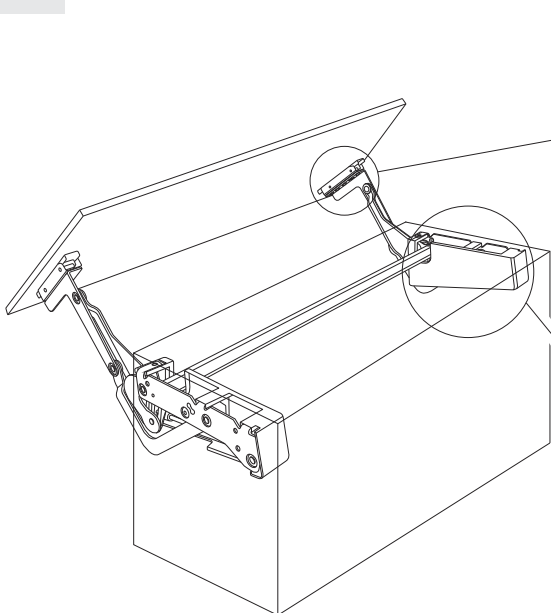


Lift the door up and assemble the mount plate with the lift fitting.

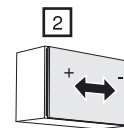


To disassemble press the clip button and lift the door.

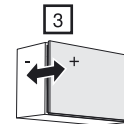
G Cabinet door adjustment



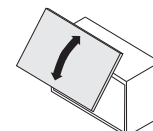
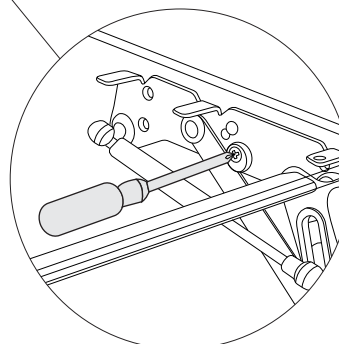
±4 up & down adjustment



±4 left & right adjustment



±2 forward & backward adjustment



opening adjustment

