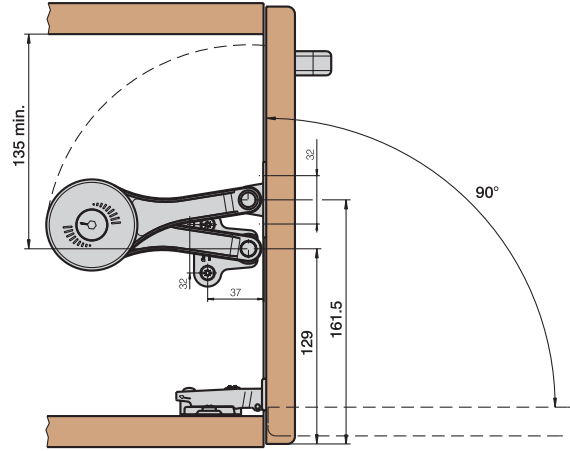
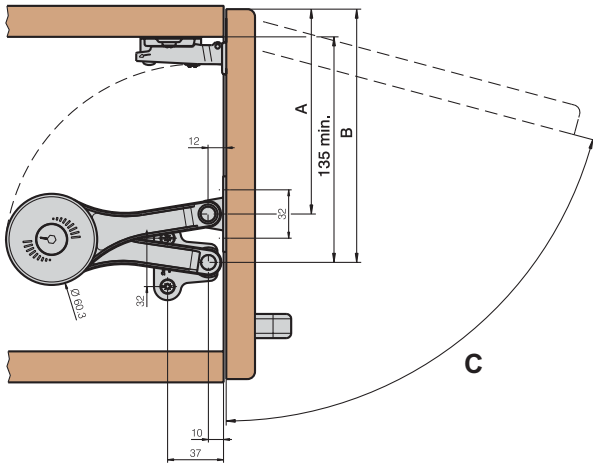


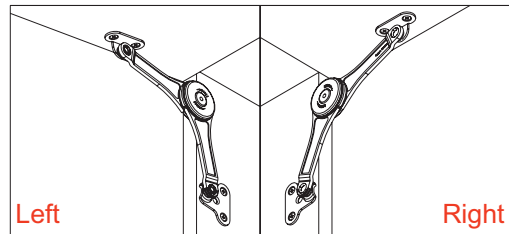
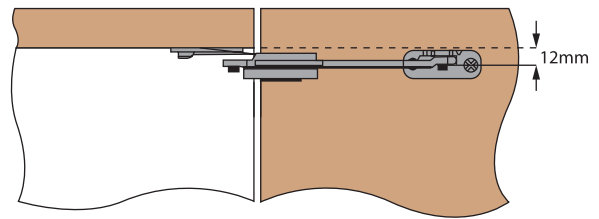
Heavy Duty Free Stop Lid Stay

Specifications & Installation

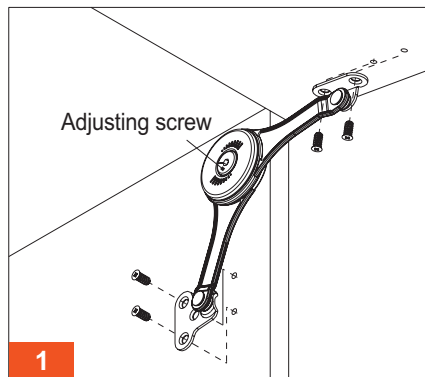
• Specification



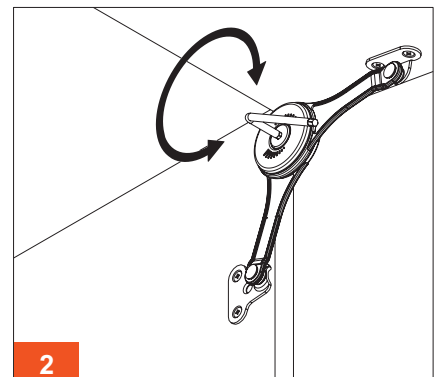
Maximum opening angle (C)	Size (A)	Size (B)
75°	157mm	189mm
90°	135.5mm	167.5mm
105°	121mm	153mm



• Installation



Fix always the brake leaving the adjusting screw always inside the cabinet.



Adjust with allen key friction force according to flap door according to flap door dimension and weight using the adjusting screw.