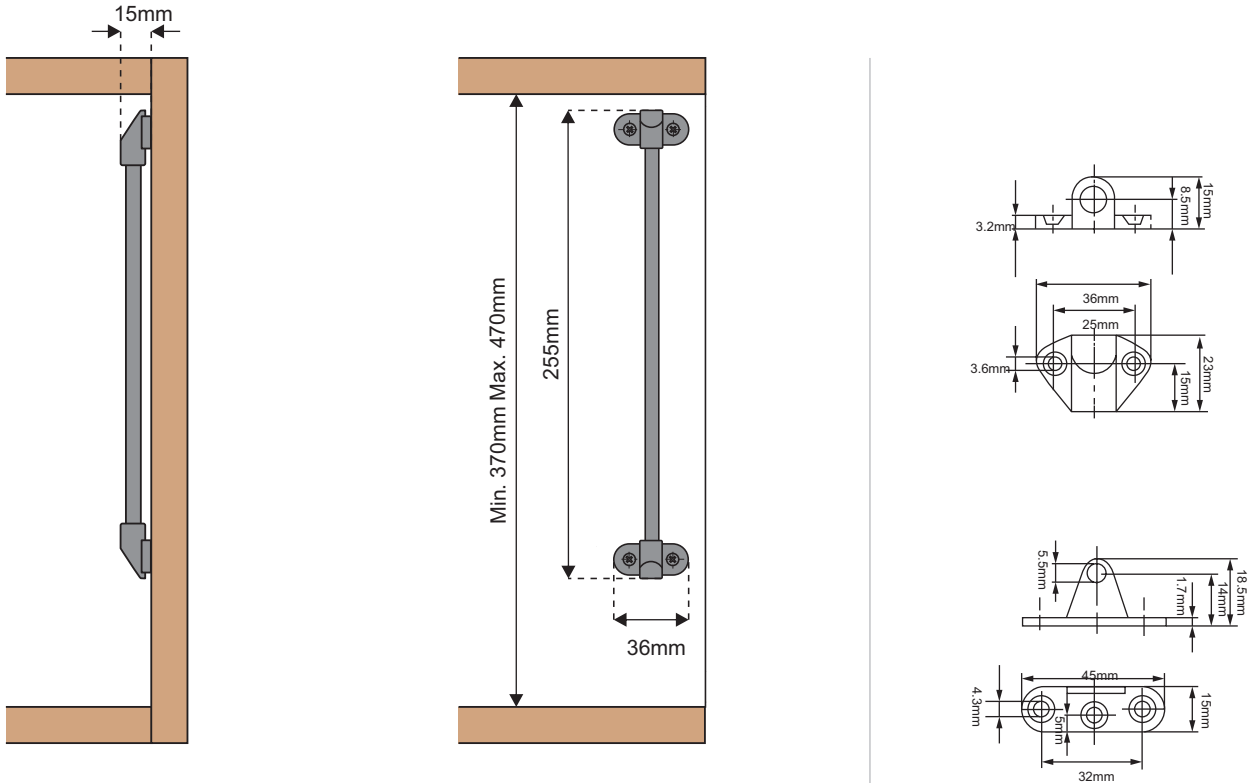


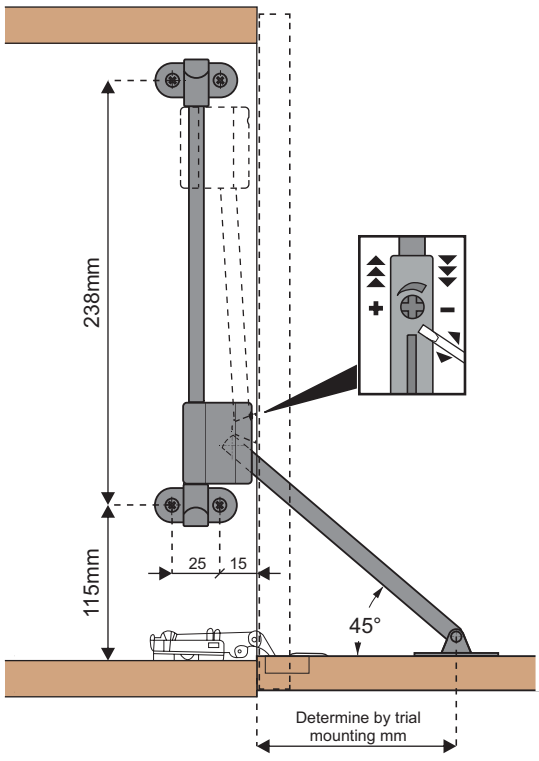
# Downward Lid Stay

## Specifications & Installation

• **Specification**



• **Installation**



• **Flap drilling pattern**

