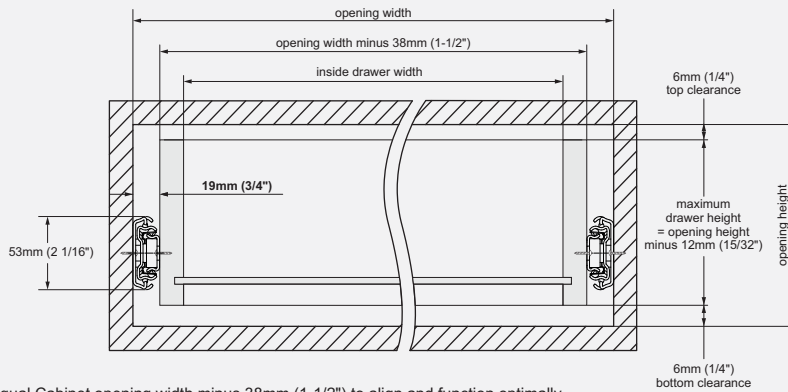


# Drawer and Cabinet Specifications

## Drawer box specifications

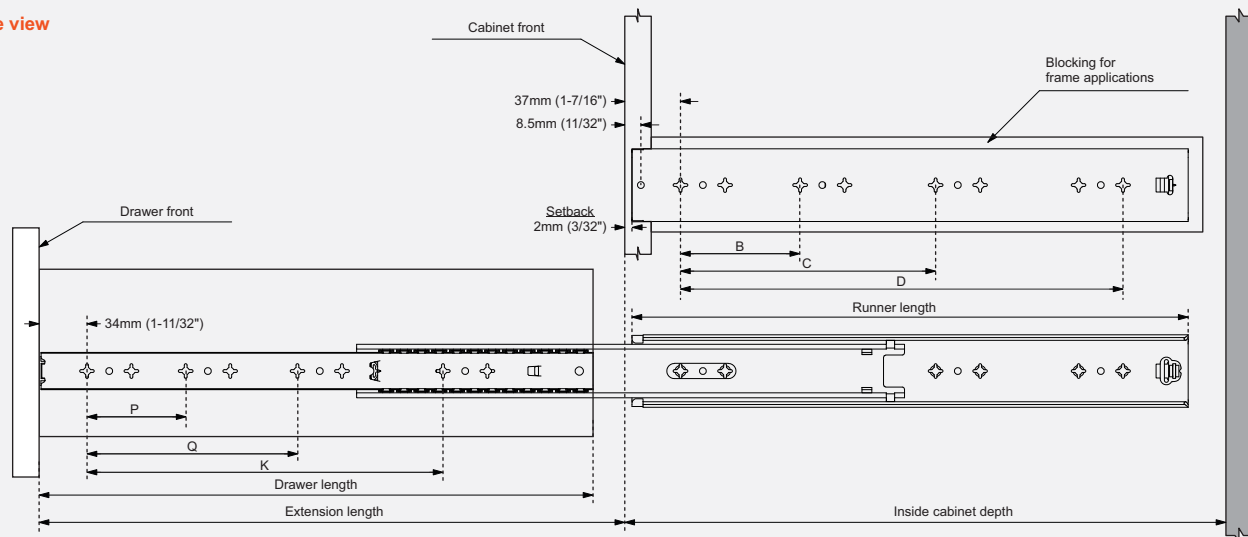
Front view



**Note:** The outside drawer width must equal Cabinet opening width minus 38mm (1-1/2") to align and function optimally

## Runner mounting specifications

Side view



Runner SKU number	Runner length	Extension length	Screw locations for frameless cabinet						Mini. inside cabinet depth
			B	C	D	P	Q	K	
TCH-22103 300 ZP	(12") 300mm	325mm	160mm	—	—	160mm	—	—	310mm
TCH-22103 350 ZP	(14") 350mm	375mm	224mm	—	—	224mm	—	—	360mm
TCH-22103 400 ZP	(16") 400mm	425mm	128mm	256mm	—	128mm	256mm	—	410mm
TCH-22103 450 ZP	(18") 450mm	475mm	160mm	320mm	—	160mm	320mm	—	460mm
TCH-22103 500 ZP	(20") 500mm	525mm	192mm	352mm	—	192mm	352mm	—	510mm
TCH-22103 550 ZP	(22") 550mm	575mm	192mm	416mm	—	192mm	416mm	—	560mm
TCH-22103 600 ZP	(24") 600mm	625mm	256mm	480mm	—	256mm	480mm	—	610mm
TCH-22103 650 ZP	(26") 650mm	675mm	256mm	512mm	—	256mm	512mm	—	660mm
TCH-22103 700 ZP	(28") 700mm	725mm	288mm	576mm	—	288mm	576mm	—	710mm
TCH-22103 750 ZP	(30") 750mm	775mm	224mm	448mm	608mm	224mm	448mm	608mm	760mm
TCH-22103 800 ZP	(32") 800mm	825mm	224mm	448mm	672mm	224mm	448mm	672mm	810mm
TCH-22103 850 ZP	(34") 850mm	875mm	256mm	512mm	704mm	256mm	512mm	704mm	860mm
TCH-22103 900 ZP	(36") 900mm	925mm	256mm	512mm	768mm	256mm	512mm	768mm	910mm
TCH-22103 950 ZP	(38") 950mm	975mm	256mm	576mm	832mm	256mm	576mm	832mm	960mm
TCH-22103 1000 ZP	(40") 1000mm	1025mm	256mm	576mm	864mm	256mm	576mm	864mm	1010mm