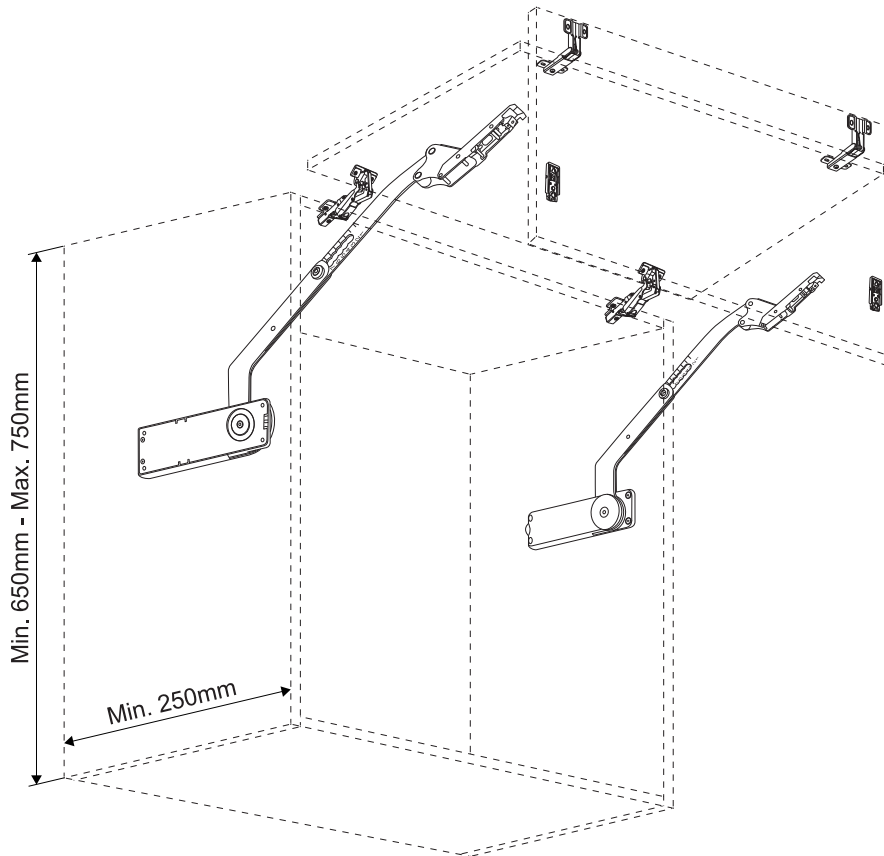


- Read this manual carefully for proper installation and operation. Adapter
- Incorrect installation and improper use of the product may cause damage to the unit and also cause injury.
- This manual should be kept by the user after installation.



⚠ Caution for installation

- This product designed exclusively for a **Horizontal Bi-Folding** cabinet door application. Be reminded that we cannot take any responsibility for damages and injuries caused by other applications, disassembly, conversion and the application to the doors exceeding the standard ranges shown in the item "Type selection method".
- The right-hand and left-hand side bodies of this mechanism should be installed as a set.
- This mechanism must be installed to the cabinet correctly in accordance with the indications of this manual. Note that, the non-observation of the dimensions specified not only does not enable this mechanism to show its full performance, but also may result in damage and cause injury.
- For improvement of the specification may be changed without notice. As for details please verify the actual goods.

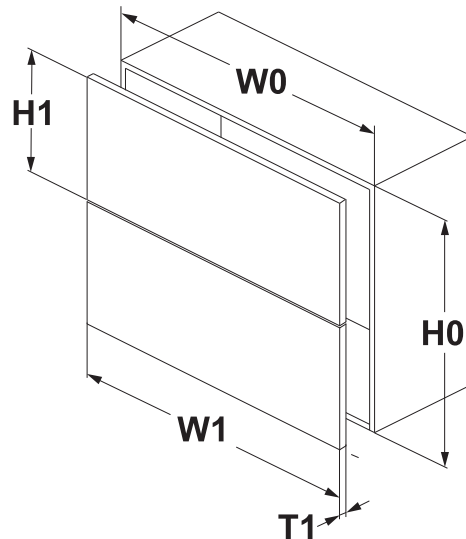
⚠ Cautions for operation

- Keep the doors from forced opening and closing. It is prohibited to open the doors over a full opening angle or to close the doors with excess force.
- The working temperature range of this product mechanism is 5-35 ° C. It is prohibited to use this mechanism at the temperature exceeding the specified range. It is not permitted to apply this mechanism for the cabinet installing a heat-generating microwave oven or other similar appliances.
- Be careful do not insert your hand or fingers into the arm mechanism of the unit. Sever injury may be caused.
- It is necessary to periodically check the fixing screws for loosening. Tighten the loosened screws as required.

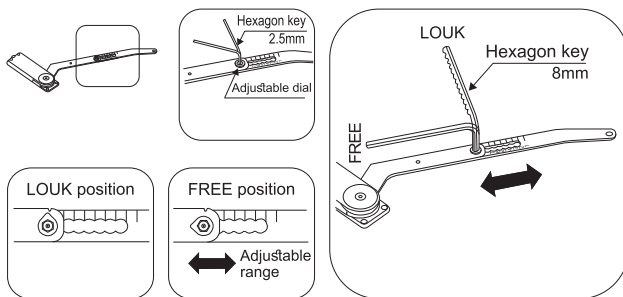


A Type selection method

- The dimensions as cabinet height (H0) and cabinet door height (H1) should meet within the specification of following formula.
Cabinet Height (H0) = Door Height (H1)x2 + (Top board thickness-Overlay) + (2mm gap between upper door and lower door) + (Bottom board thickness-Overlay)
- The dimensions of upper door and lower door should be the same.
- Cabinet Door Width (W1) : 450 - 900mm.
- Cabinet Door height (H1) : 320 - 370 mm.
- Cabinet Door Thickness (T1) : 17 - 20mm.
- Cabinet internal depth : Min. 250 mm.
- The concealed hinge (overlay use) should be used as a door-hanging device. The TCH-14202165F3D concealed hinge is recommended.



B Arm length

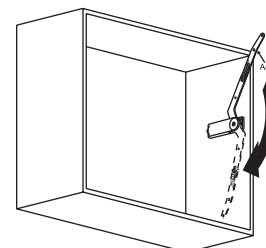
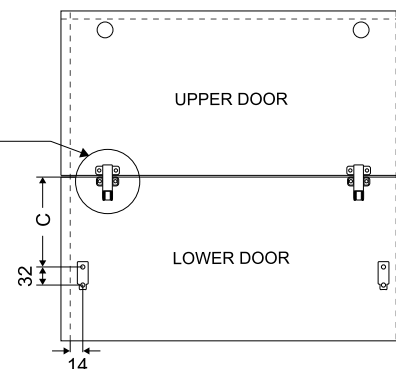
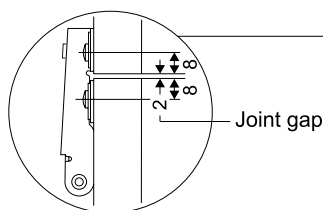
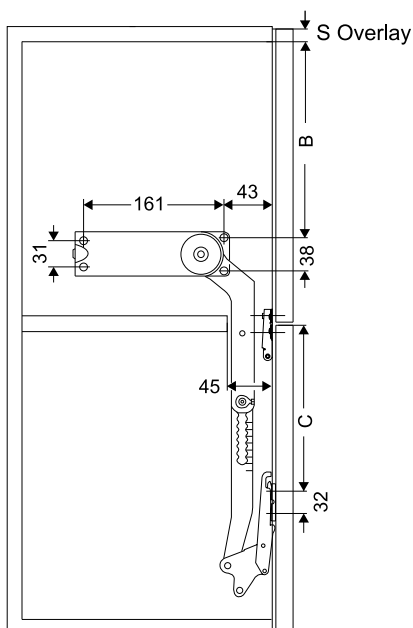


⚠ Notice: Adjusting the arm length lock incorrectly may cause breaking the lock overtime.
After adjust the arm, set the adjustable dial at " LOCK " position and fix it by hexagon keys.

Applicable door height and installation measurements

Door height	Adjustment point	B	C
320	4	227-S	173
330	5	235-S	179
340	6	243-S	185
350	7	251-S	191
360	8	259-S	197
370	9	267-S	203

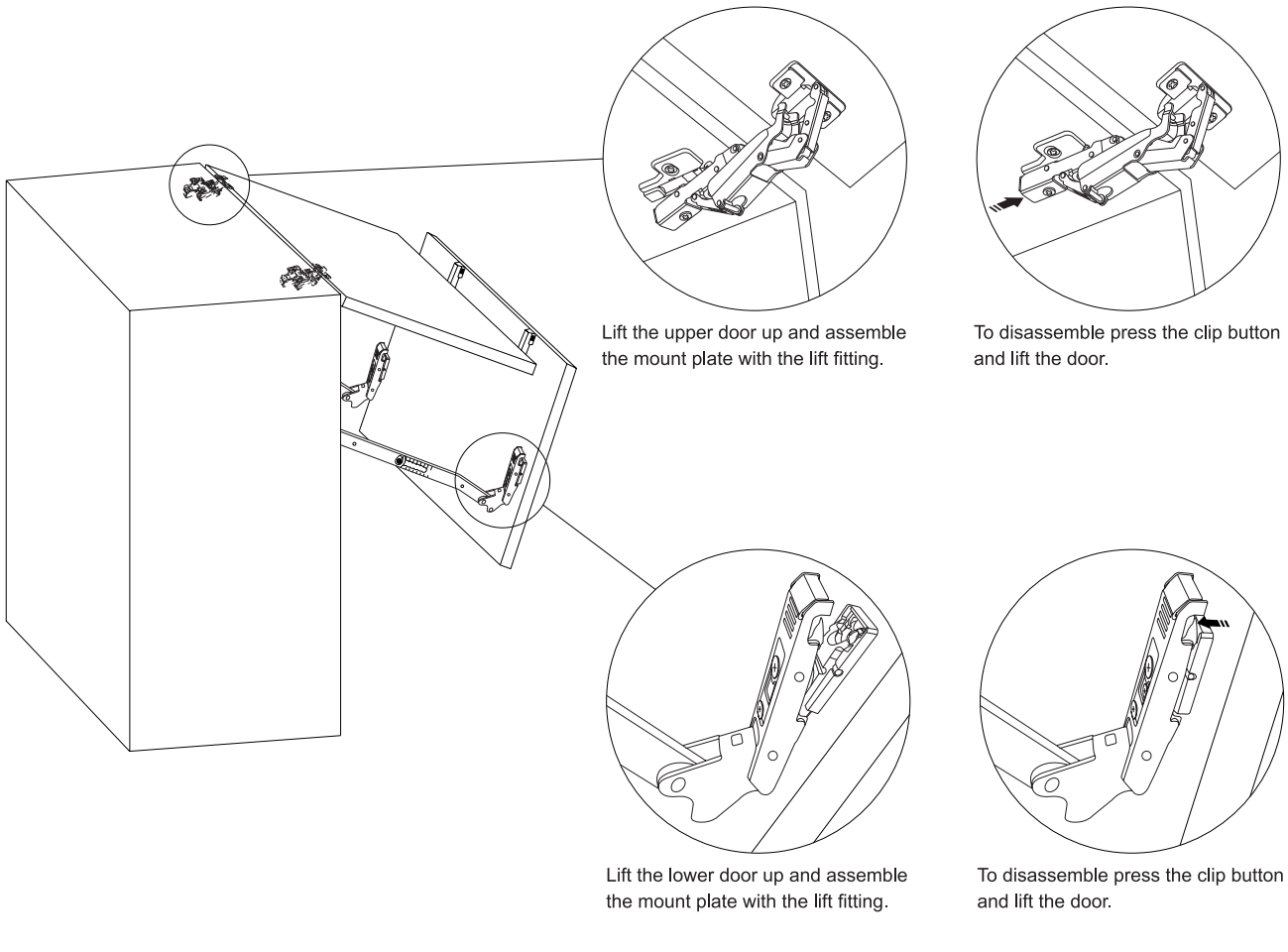
C Product installation and fixing screws dimensions



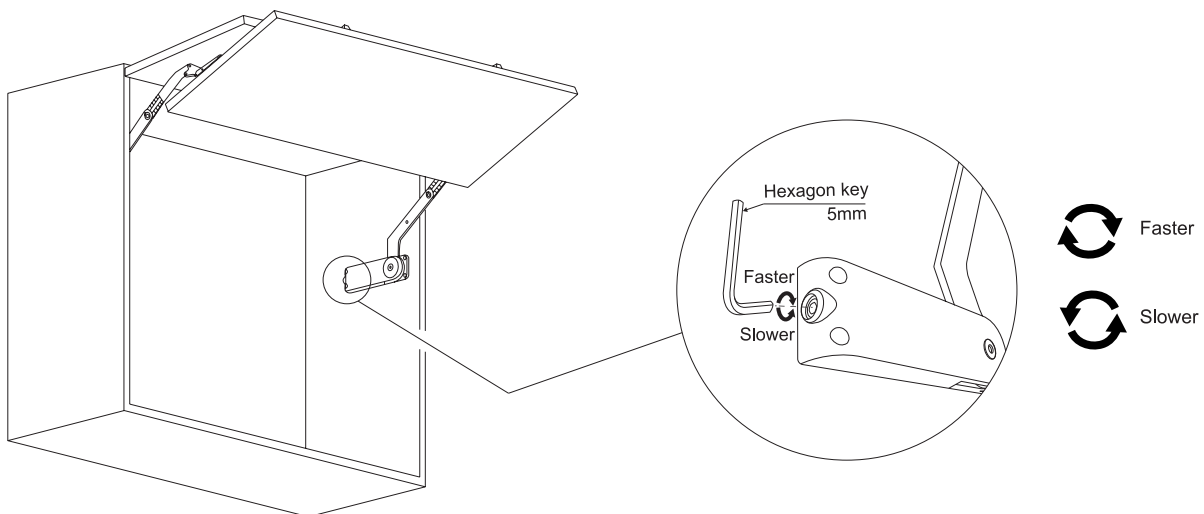
⚠ Notice: Do not release your hand from the mechanism during turning its arm. It may cause injury. Be careful not to insert your fingers into the arm mechanism when turning it.



D Cabinet door assembly



E Door closing speed



F Cabinet door adjustment

