

# TCH-23400.S Synchronized System Installation



## Attaching undermount slides to the cabinet

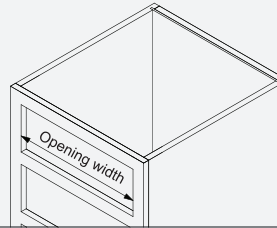
Install the runners inside the cabinet based on the provided information for the selected undermount slides.



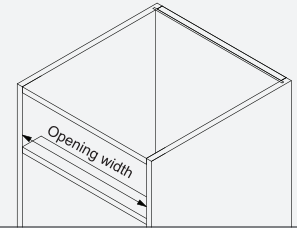
## Linkage rod length

Measure the width of the cabinet opening to determine the length of the linkage rod. Use the calculation table below to calculate the appropriate length, and then cut the rod accordingly.

Face frame cabinet

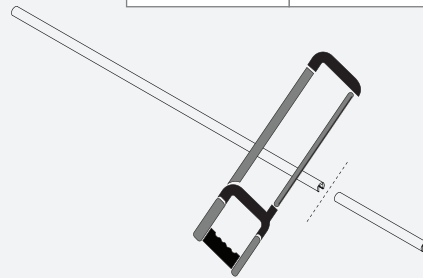


Frameless cabinet



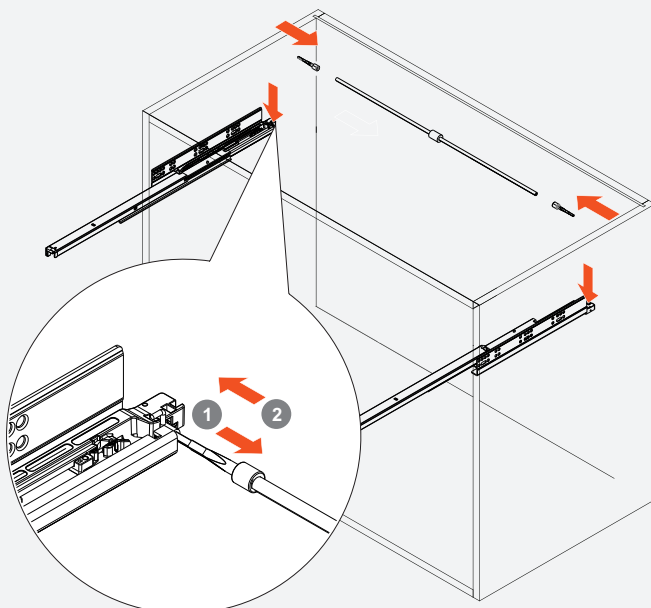
### Linkage rod cutting length

Runners thickness	Cutting calculation
16mm (5/8")	Opening width minus 142mm (5-9/16")
19mm (3/4")	Opening width minus 148mm (5-13/16")



## Attaching the linkage rod to the drawer runners

Insert the sockets into the linkage rod, attach the linkage rod to the left and right pinions, and then secure the sockets with the push mechanism.



## Insert drawers

Fully extend the slides. Position the drawer on the slides and close it. The locking devices will automatically engage with the slides. Make adjustments if necessary.

